

**SIEMENS**  
*Ingenuity for life*



## Power distribution blocks

Distribution blocks are used to realize single-, two-, three- and four-phase systems up to a rated current of 400 A. This enables to split power supply circuits in several load circuits with different cable cross-sections.

The following Distribution Blocks are SCCR rated only with Class J Fuses. See detailed technical sheet on the next page.

### High thermic and mechanical robustness

Distribution blocks are made of thermoplastic with electrical and mechanical parts, which allows a usage under high thermic and mechanical load according to IEC 60947-7-1.

### Highlights

- Fast mounting on DIN-Rail with click connection or on mounting plate with 2 x M5 screws
- Place saving
- Safety because of IP20 degree of protection and no cap to open or remove

Catalog number	No. of poles	Ampere rating	Voltage
5ST2504	1	80	600V
5ST2505	1	125	600V
5ST2507	1	160	600V
5ST2508	1	250	600V
5ST2511	1	350	600V

## Distribution blocks

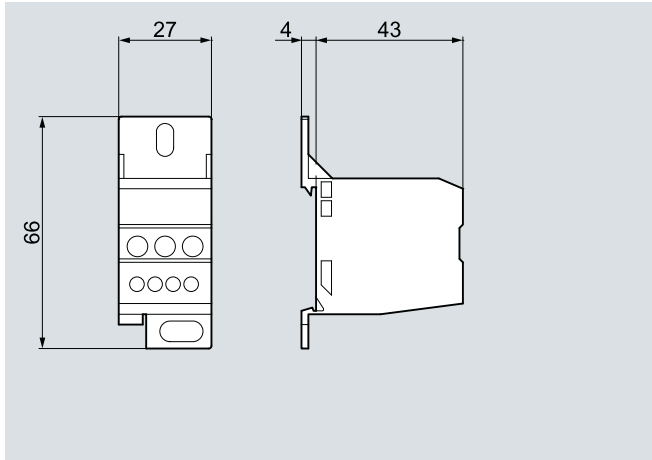
			5ST2 504	5ST2 505	5ST2 507	5ST2 508	5ST2 511
<b>Standards, Certifications</b>			UL 1059 / UL 486E / IEC 60947-7-1 UL File Nr. E80027 / XCFR2 C22.2 No158 -1987 / XCFR8			UL 486E / IEC 60947-7-1 UL File Nr. E80027 / XCFR2	
<b>Degree of Protection</b>			IP20				
<b>Poles</b>			1				
<b>Approved cable</b>			Copper				
<b>Typ wiring</b>			Factory and field wiring				
<b>• Front/Back</b>			Pressure wire connector				
<b>Conductor cross-section</b>							
<b>• Input</b>							
- Solid and Stranded to UL	Large	AWG	1x14 ... 6	1x8 ... 2	1x8 ... 2 / 0	1x2 ... 4 / 0 <sup>1)</sup>	1x3 / 0... 350 MCM
- Solid and Stranded to IEC		mm <sup>2</sup>	2.5 ... 16	10 ... 35	10 ... 70	35 ... 120 <sup>1)</sup>	95 ... 185
- Solid and Stranded to UL	Small	AWG	—	1x14 ... 4	—		
- Solid and Stranded to IEC		mm <sup>2</sup>	—	2.5 ... 25	—		
<b>• Output</b>							
- Solid and Stranded to UL	TOP	AWG	4x14 ... 10	6x14 ... 4	6x14 ... 4 <sup>1)</sup>	4x14 ... 6	4x10 ... 14
- Solid and Stranded to IEC		mm <sup>2</sup>	2.5 ... 6	2.5 ... 16	2.5 ... 25 <sup>1)</sup>	1.5 ... 16	2.5 ... 6
- Solid and Stranded to UL	Middle	AWG	—			4x14 ... 8	
- Solid and Stranded to IEC		mm <sup>2</sup>	—			1.5 ... 10	
- Solid and Stranded to UL	Bottom	AWG	2x14 ... 6	—		2x14 ... 2 / 1x14 ... 6	
- Solid and Stranded to IEC		mm <sup>2</sup>	2.5 ... 16	—		2x6 ... 35 / 1.5 ... 16	
<b>Screw torque</b>							
<b>• Input</b>		lb/in Nm	13.5 3	31 3.5	35.7 5	170 19	230 25
	Fitting connection			Allen key(4mm)	Allen key(5mm)	Allen key(6mm)	Allen key(8mm)
<b>• Output</b>	Large	lb/in Nm	13.5 3	17.5 2		31 3.5	
	Fitting connection		PZ2			Standard screwdriver	
	Small	lb/in Nm	7.2 0.8	— —		31 3.5	
	Fitting connection		PZ1	—		Standard screwdriver	
<b>Amper per pole, max.</b>	A		80	115	160	230	310
<b>Operational voltage</b>							
• UL, max.	V		600				
• IEC, max.	V		690				
<b>Overcurrent protection fuse</b>							
• Required class			J				
• Max Amp Rating	A		80	125	160	250	350
• SCCR RMS Sym A	kA		100				
• Rated peak withstand current (I <sub>pk</sub> )	kA		2.7	30		51	
• Rated short-time withstand current (low1s)	kA		1.9	4.4	11	21	
<b>Spacings</b>							
• Trough Air	in (mm)		3 / 8 (9.5)				
• Over Surface	in (mm)		1 / 2 (12.7)				
<b>Flammability Rating</b>			UL94V-0				
<b>Block Dimension (D x H x W)</b>	mm		66x49x27	74x49x27	92x35x49	96x49x45	96x49x45
<b>Connections</b>			with cable up to 16mm <sup>2</sup>	With connector or cable up to 16mm <sup>2</sup> 2)	side access for parallel connection with copper bar (max. 16 x 5 mm)	—	—

1) Only stranded.

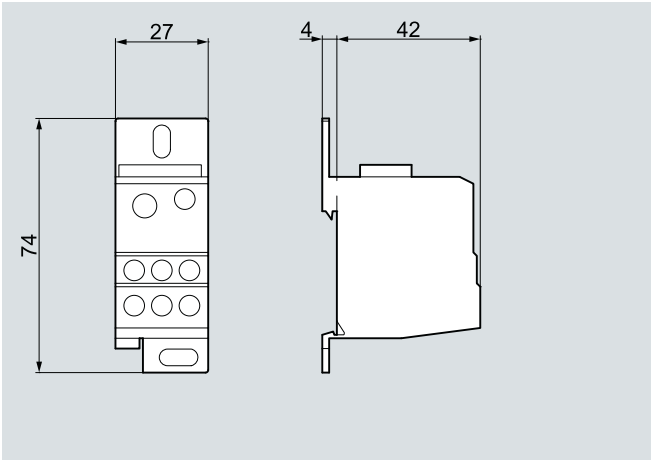
2) Copper jumper has been investigated for a 100A rating.

# Distribution blocks

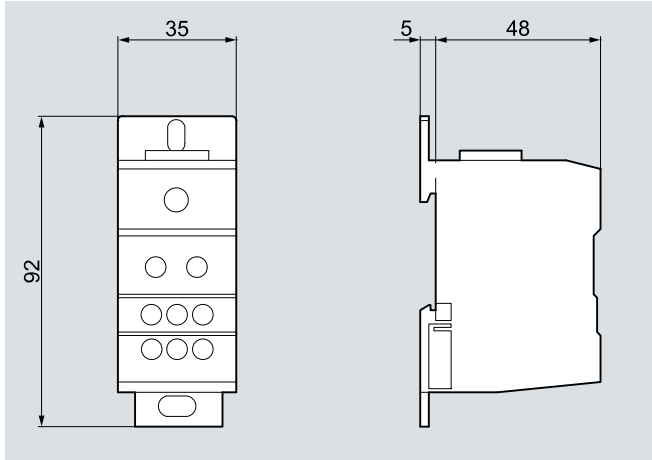
## Dimensions



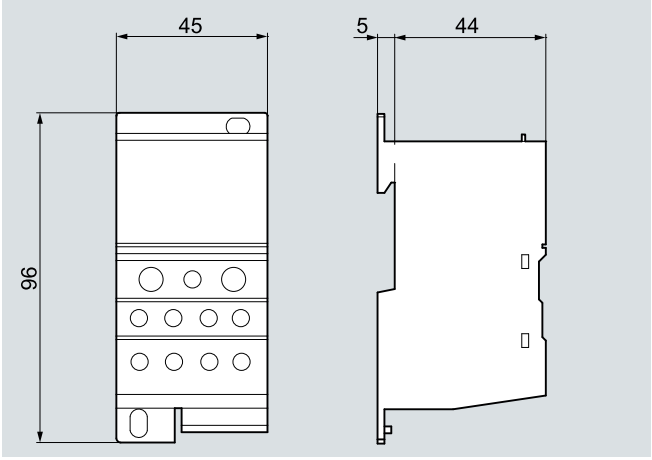
5ST2 504



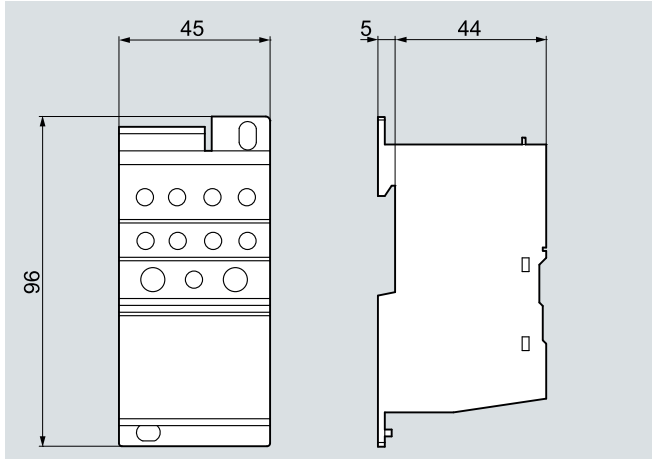
5ST2 505



5ST2 507

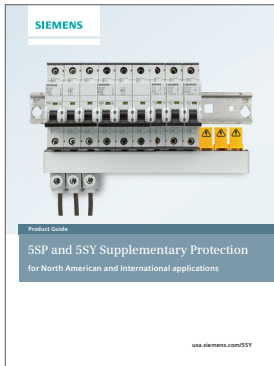


5ST2 508



5ST2 511

## Available Collateral for 5S Breakers & Terminal Blocks



Product Guide for 5SY and 5SP Supplementary Protectors

Order Number: PDCA-5SPSY-0913

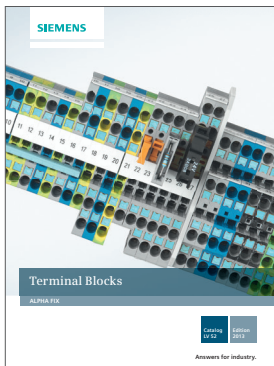
[www.usa.siemens.com/5SY](http://www.usa.siemens.com/5SY)



Product Guide for 5SJ Miniature Circuit Breakers

Order Number: PDCA-5SJ4U-0913

[www.usa.siemens.com/5SJ](http://www.usa.siemens.com/5SJ)



Terminal Blocks Catalog 2013

Order Number: PDCA-TERMB-1013

[www.usa.siemens.com/terminalblocks](http://www.usa.siemens.com/terminalblocks)

Published by  
Siemens Industry, Inc. 2016.

Siemens Industry, Inc.  
5400 Triangle Parkway  
Norcross, GA 30092

For more information, please contact  
our Customer Support Center.

Phone: 1-800-241-4453

E-mail: [info.us@siemens.com](mailto:info.us@siemens.com)

[usa.siemens.com/terminalblocks](http://usa.siemens.com/terminalblocks)

Order No: PDBR-DISTB-0816

Printed in USA

© 2016 Siemens Industry, Inc.

Subject to changes and errors. The information given in this document only contains general descriptions and/or performance features which may not always specifically reflect those described, or which may undergo modification in the course of further development of the products. The requested performance features are binding only when they are expressly agreed upon in the concluded contract.